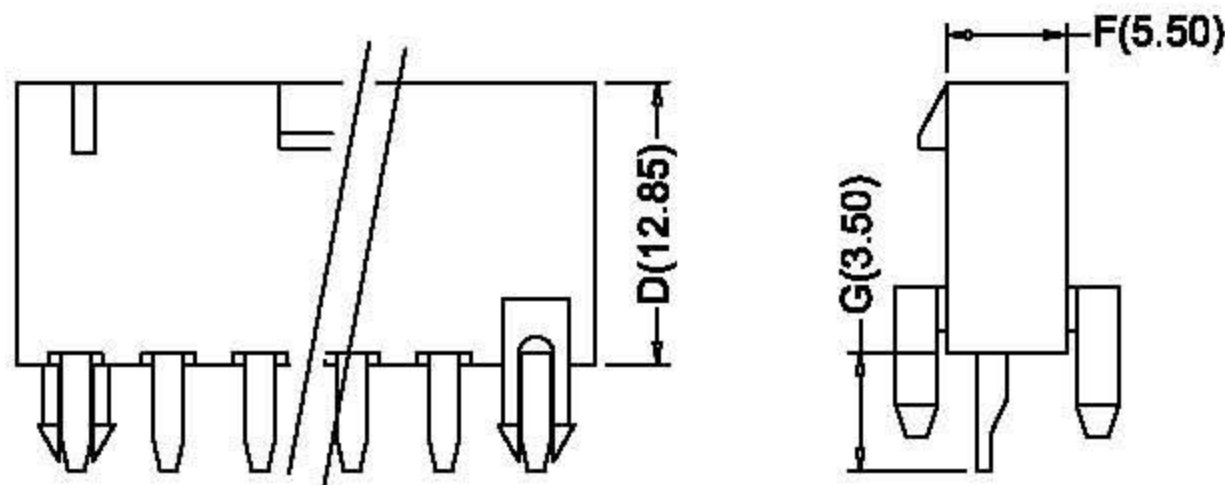
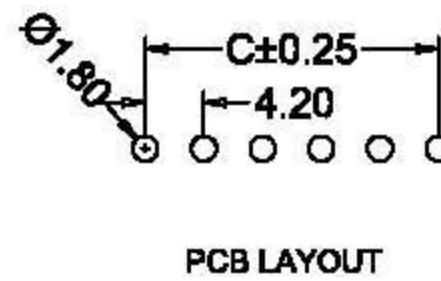
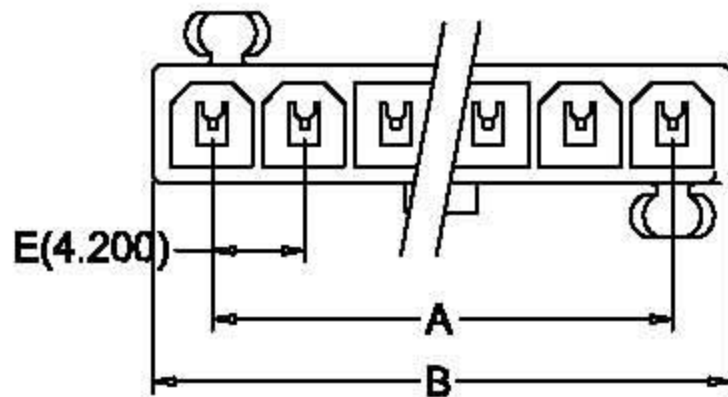
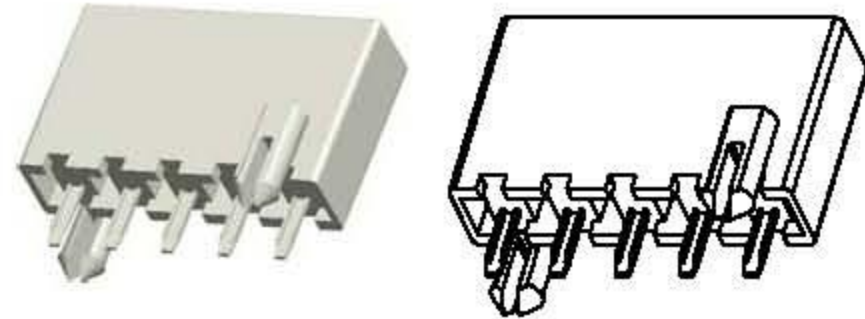


4.2mm(.165")Wire To Wire And Wire To Board Connector



SPECIFICATIONS:

- Current rating:9A AC,DC
- Voltage rating:600V AC,DC
- Operating Temperature:V2:-25°C~+85°C
V0:-40°C~+105°C
- Contact Resistance:10mΩ max.
- Insulation Resistance:1000MΩ Min.
- Withstanding Voltage:1500V AC/minute
- Material:Housing:Nylon66 UL94V-2
Pin:Brass.Tin plated
- Pin In Housing Retention Force Requirement:3.5kg (Min.)



Ordering Information And Dimensions

Part NO.			Dimensions			Part NO.			Dimensions		
TYP UL94V-0	TYP UL94V-2	Circuits	Dim:A	Dim:B	Dim:C	TYP UL94V-0	TYP UL94V-2	Circuits	Dim:A	Dim:B	Dim:C
M4257(VK)-1x2-D	M4257(VK)-1x2-D	2	4.20	9.60	4.20	M4257(VK)-1x8-D	M4257(VK)-1x8-D	8	29.40	35.00	29.40
M4257(VK)-1x3-D	M4257(VK)-1x3-D	3	8.40	14.00	8.40	M4257(VK)-1x9-D	M4257(VK)-1x9-D	9	33.60	39.20	33.60
M4257(VK)-1x4-D	M4257(VK)-1x4-D	4	12.60	18.20	12.60	M4257(VK)-1x10-D	M4257(VK)-1x10-D	10	37.80	43.40	37.80
M4257(VK)-1x5-D	M4257(VK)-1x5-D	5	16.80	22.40	16.80	M4257(VK)-1x11-D	M4257(VK)-1x11-D	11	42.00	47.60	42.00
M4257(VK)-1x6-D	M4257(VK)-1x6-D	6	21.00	26.60	21.00	M4257(VK)-1x12-D	M4257(VK)-1x12-D	12	46.20	51.80	46.20
M4257(VK)-1x7-D	M4257(VK)-1x7-D	7	25.20	30.80	25.20						