

4.14mm(.163") Wire To Wire Connector



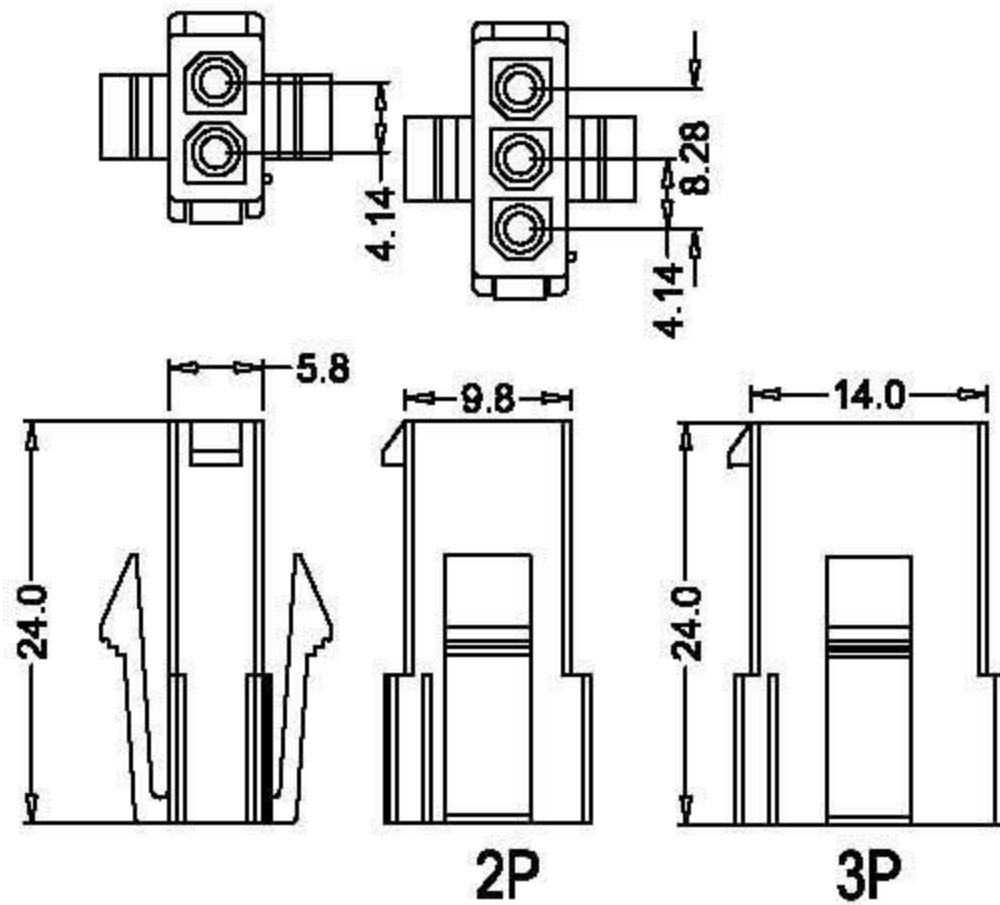
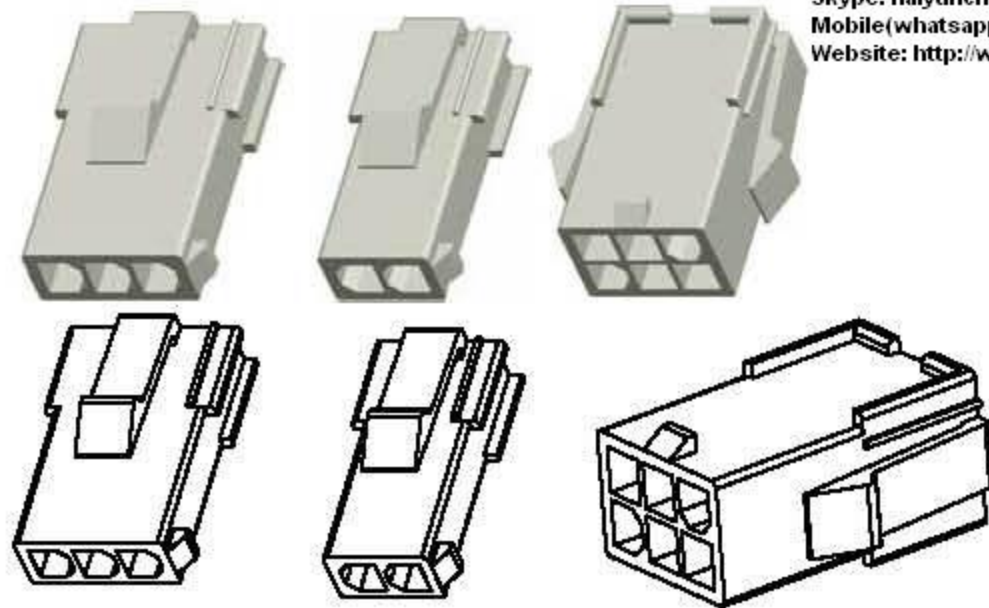
Connector & Terminal

SPECIFICATIONS:

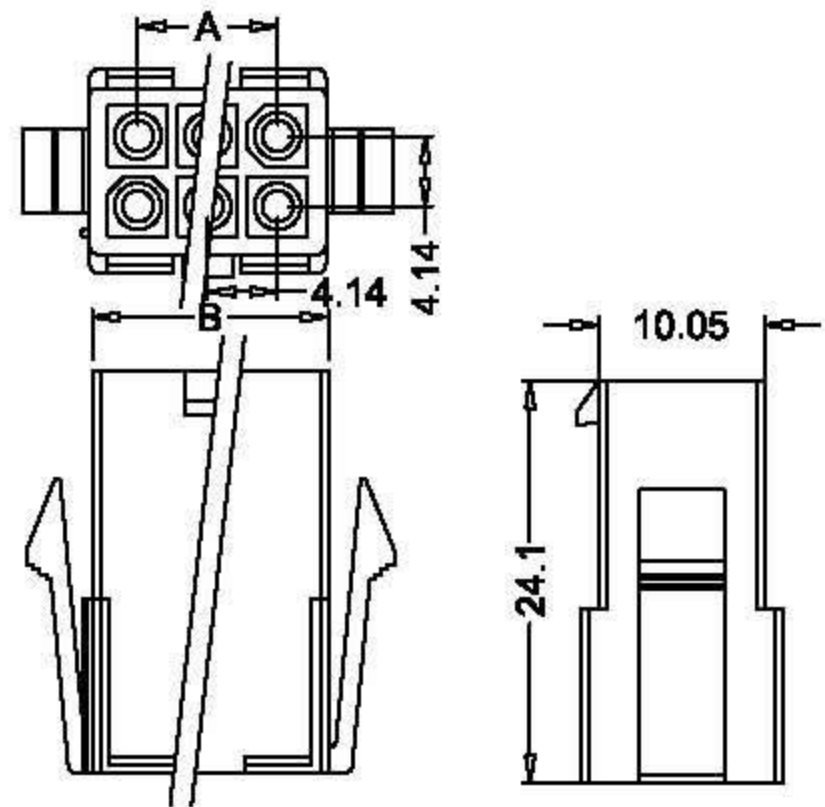
- Current Rating:7A AC,DC
- Voltage Rating:600V AC,DC
- Operating Temperature:V0:-40℃~+105℃
V2:-25℃~+85℃
- Contact Resistance:10mΩ max.
- Insulation Resistance:1000MΩ Min.
- Withstanding Voltage:1500V AC/minute
- Material:Nylon66 UL94V-2/UL94V-0
- UL File No:E304945
- Terminal In Housing Retention Force Requirement:4.0kg (Min.)
- Wire Size:AWG#18~#26

Shenzhen Hongru Connector Co., Ltd

Email:yukyli@hrb-connector.com
Tel: 86-0755 2709 6669
Fax: 86-0755 2709 2392
Skype: haiyuncheng-vivian
Mobile(whatsapp): 86-186 8112 3590
Website: http://www.hrb-connector.com



P1020 Series



P1020 Series

Ordering Information

Part NO.		Circuits
TYP UL94V-2	TYP UL94V-0	
P1020-1x2-N-H-K	P1020-1x2-W-H-K	2
P1020-1x3-N-H-K	P1020-1x3-W-H-K	3

Part NO.			Dimensions	
TYP UL94V-2	TYP UL94V-0	Circuits	Dim:A	Dim:B
P1020-2x2-N-H-K	P1020-2x2-W-H-K	4	4.14	10.33
P1020-2x3-N-H-K	P1020-2x3-W-H-K	6	8.28	14.47

